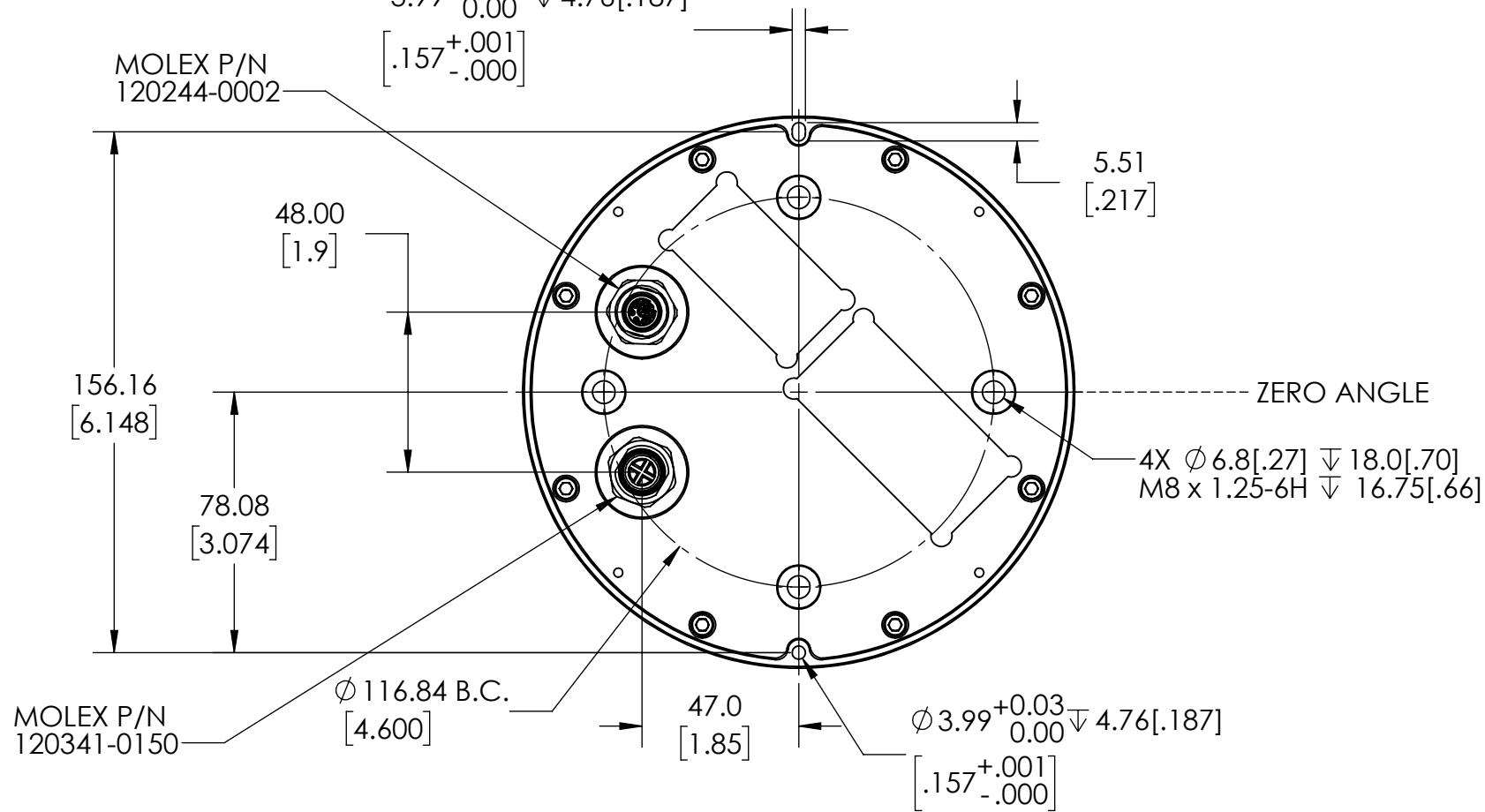
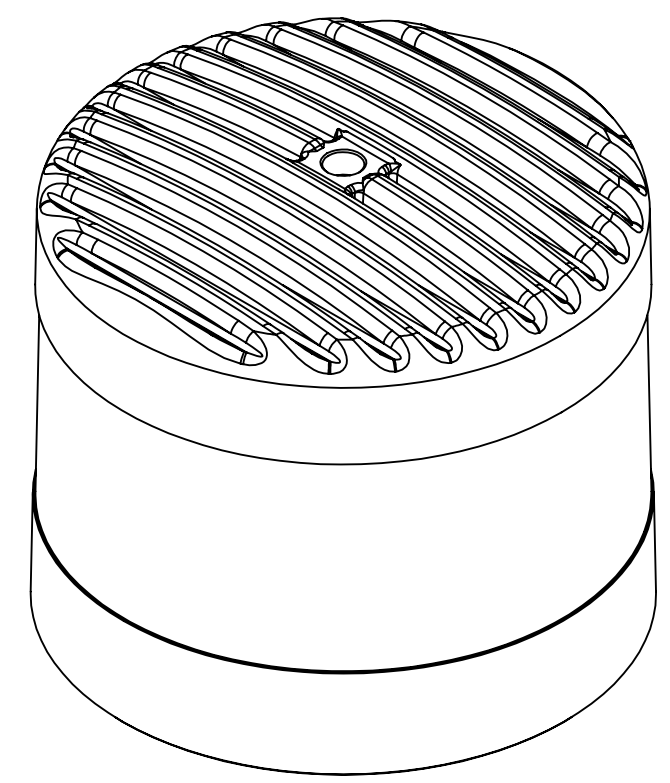
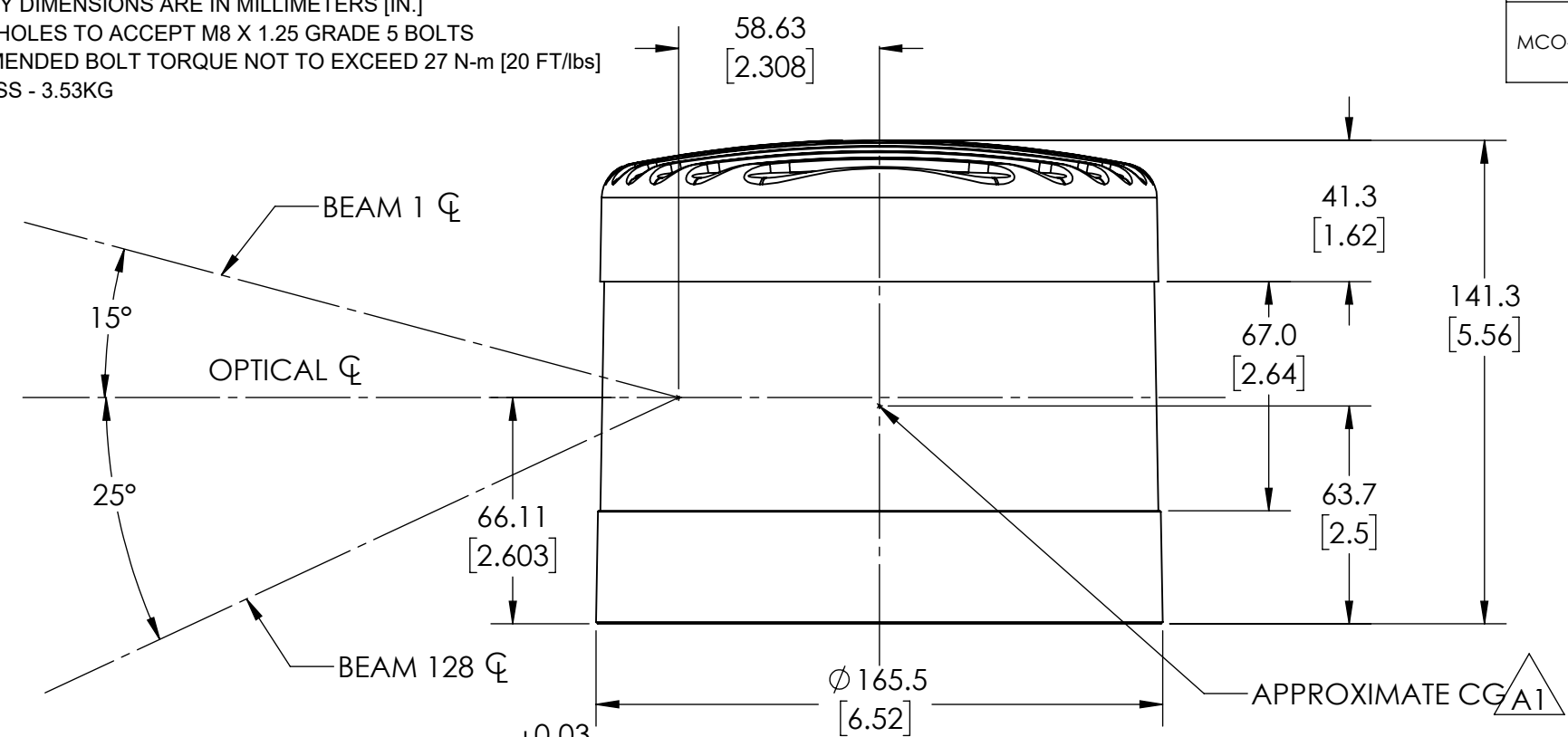


THE INFORMATION CONTAINED IN THIS DRAWING IS THE SOLE PROPERTY OF VELODYNE LIDAR, INC., ANY REPRODUCTION IN PART OR WHOLE WITHOUT THE WRITTEN PERMISSION OF VELODYNE LIDAR, INC., IS PROHIBITED.

NOTES: UNLESS OTHERWISE SPECIFIED

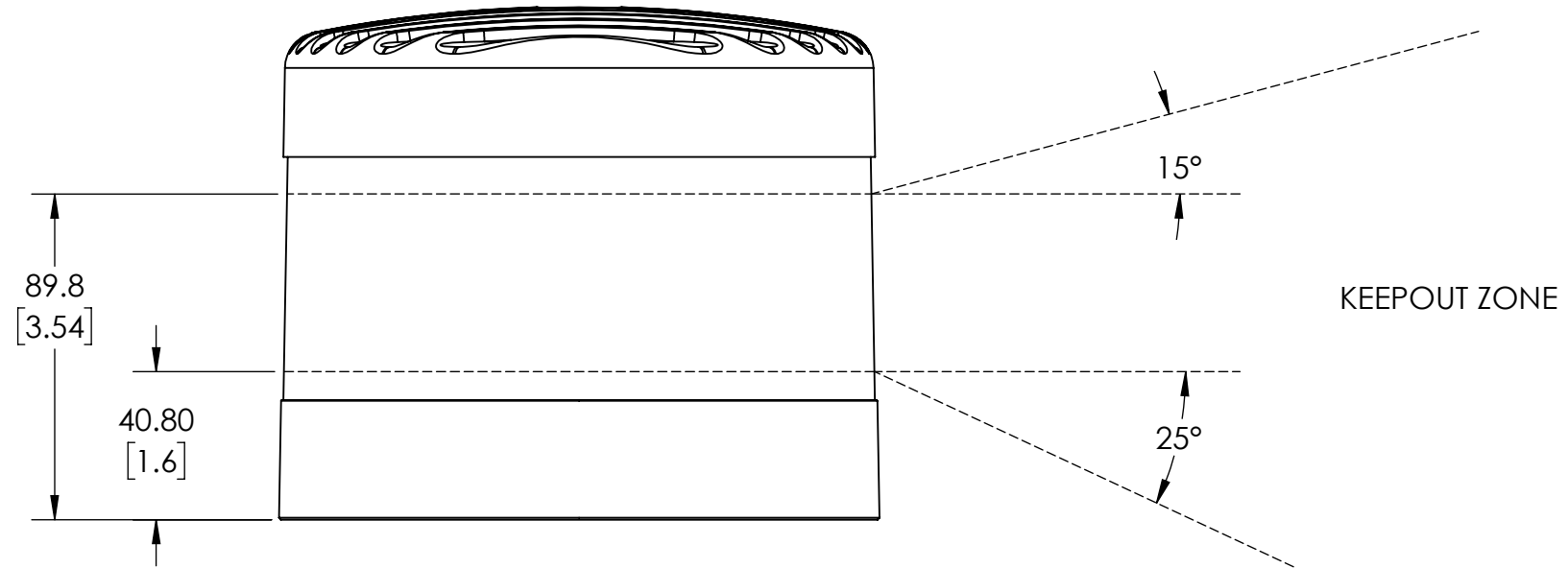
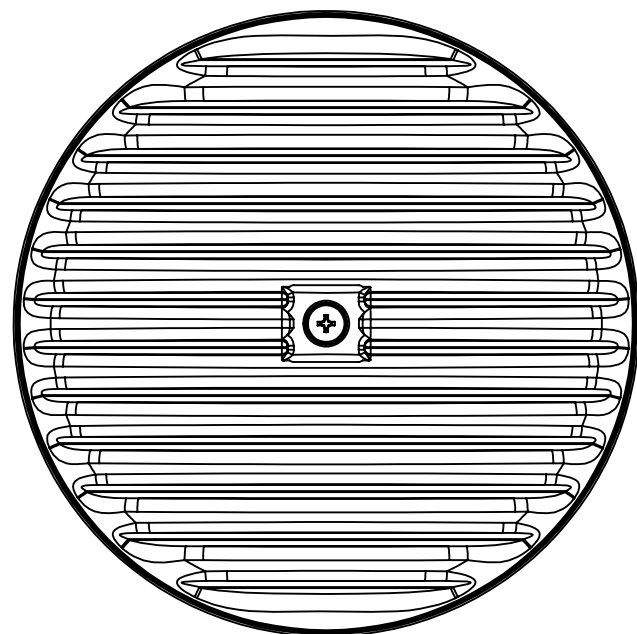
- ALL PRIMARY DIMENSIONS ARE IN MILLIMETERS [IN.]
- MOUNTING HOLES TO ACCEPT M8 X 1.25 GRADE 5 BOLTS
• RECOMMENDED BOLT TORQUE NOT TO EXCEED 27 N-m [20 FT/lbs]
- VLS-128 MASS - 3.53KG

REVISIONS				
ECN	REV.	DESCRIPTION	DATE	APPROVED
3382	A	RELEASED TO "A" REVISION.	6/21/2018	SRC
MCO-001774	A1	ADDED THE CG TO THE DRAWING	1/17/2020	SRC



UNLESS OTHERWISE SPECIFIED DIMENSIONS ARE IN DECIMAL INCHES AND [METRIC].		SOLIDWORKS GENERATED DRAWING. DO NOT MANUALLY UPDATE.		Velodyne LiDAR™	
TOLERANCES ARE:	DECIMALS	ANGLES	APPROVALS	DATE	TITLE
	.xx ± .01 [0.25]	± N/A	DWN	02/16/18	VLS-128 ENVELOPE DRAWING
	.xxx ± .005 [0.127]		CHKD		
MATERIAL	SEE NOTES	QC			SIZE DWG. NO. 86-0137
FINISH	SEE NOTES	ENG			REV. A1
DO NOT SCALE DRAWING					SCALE: SC 1:1 SHEET 1 of 2

THE INFORMATION CONTAINED IN THIS DRAWING IS THE SOLE PROPERTY OF VELODYNE LIDAR, INC., ANY REPRODUCTION IN PART OR WHOLE WITHOUT THE WRITTEN PERMISSION OF VELODYNE LIDAR, INC., IS PROHIBITED.



Velodyne LiDAR[™]

ENVELOPE DRAWING, VLS-128

SIZE	DWG. NO.	REV.
B	86-0137	A1
SCALE: SC 1:5		SHEET 2 of 2